

A

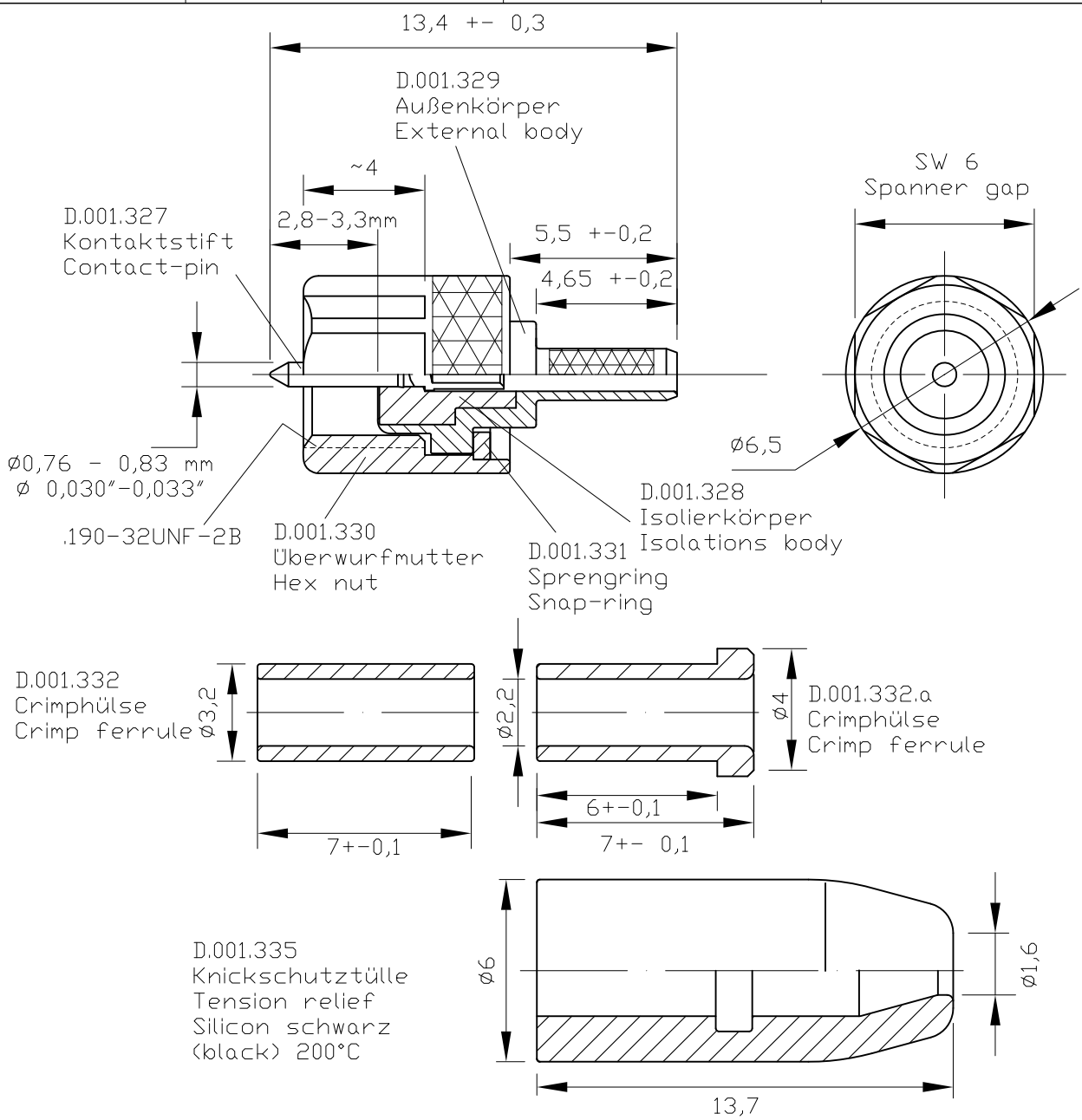
B

C

D

E

F



All dimensions are in mm, tolerances acc. ISO 2768 m-H compatible with MALCO microdot Documents: Assembly instruktion S.000.966 A1

| Material and plating: | Material | Plating |
|-----------------------|----------|---------------------|
| Connector parts | | |
| Center contact | Brass | 0,75µm Au of 1µm Ni |
| Outer contact | Brass | 0,75µm Au of 1µm Ni |
| Schellmaterial | Brass | 0,75µm Au of 1µm Ni |
| Dielectricum | PTFE | |
| Crimping sleeve | copper | Au 0,2µm min. |
| RoHS conform | | |

| | | | | |
|------|-------------|-------------------|------------|--|
| -- | (Zul. Abw.) | (Oberfl.) | Maßstab -- | (Gewicht) |
| | | | Werkstoff: | |
| | | | - | |
| | | Datum | Name | Microdot Coax plug for Coaxcable RG 196 complete |
| | Bearb. | 14.5.09 | SCHL | |
| | Gepr. | - | SCHL | |
| | Norm | | | |
| | | ELMESO GmbH | | S.000.966 |
| | | 83043 Bad Aibling | | |
| Zust | Änderung | Datum | Name | Blatt |
| | | | (Urspr.) | Bl. |
| | | | (Ers. f.:) | (Ers. d.:) |